

-40V, -8A P-Channel Power MOSFET

GENERAL DESCRIPTION

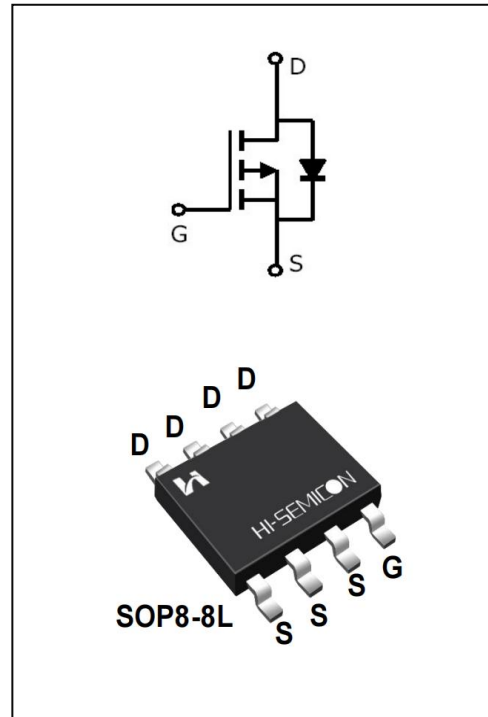
The Power MOSFET has extremely low on resistance, making it especially suitable for applications which require superior power density and outstanding efficiency.

Features

- ◆ $V_{DS}=-40V$, $I_D=-8A$
- ◆ $R_{DS(ON)}$
 $R_{DS(ON)}=25m\Omega$ (TYP@ $V_{GS}=-10V$)
 $R_{DS(ON)}=31m\Omega$ (TYP@ $V_{GS}=-4.5V$)

Applications

- ◆ Power faction correction (PFC)
- ◆ Switched mode power supplies (SMPS)
- ◆ Uninterruptible power supply (UPS)
- ◆ LED lighting power



ORDERING INFORMATION

Part No.	Package	Marking	Material	Packing
SFS4000PT8	SOP-8	SFS4000PT8	Pb Free	Reel

ABSOLUTE MAXIMUM RATINGS (T_J=25°C unless otherwise noted)

Characteristics		Symbol	Ratings	Unit
Drain-Source Voltage		V _{DS}	-40	V
Gate-Source Voltage		V _{GS}	±20	
Drain Current	T _C = 25°C	I _D	-8	A
	T _C = 75°C		-5.6	
Drain Current Pulsed(Note 1)		I _{DM}	-32	
Power Dissipation(T _C =25°C) -Derate above 25°C		P _D	2.5	W
Operation Junction Temperature Range		T _J	-55~+150	°C
Storage Temperature Range		T _{stg}	-55~+150	
Maximum lead temperature for soldering purposes,1/8" from case for 5 seconds		TL	300	

ELECTRICAL CHARACTERISTICS

Characteristics	Symbol	Test conditions	Min.	Typ.	Max.	Unit
Off Characteristics						
Drain -Source Breakdown Voltage	B _{VDS}	V _{GS} = 0V, I _D = -250μA	-40	--	--	V
Drain-Source Leakage Current	I _{DSS}	V _{DS} = -40V, V _{GS} = 0V	--	--	1.0	uA
Gate-Source Leakage Current	I _{GSS}	V _{GS} = 20V, V _{DS} = 0V	--	--	100	nA
Gate-Source Leakage Current	I _{GSS}	V _{GS} = -20V, V _{DS} = 0V	--	--	-100	
On Characteristics						
Gate Threshold Voltage	V _{GS(th)}	V _{GS} = V _{DS} , I _D = -250μA	-1.0	-1.5	-2.0	V
Static Drain- Source On State Resistance	R _{DS(on)}	V _{GS} = -10V, I _D = -4.0A	--	25	30	mΩ
		V _{GS} = -4.5V, I _D = -4.0A	--	31	38	
Dynamic Characteristics						
Input Capacitance	C _{iss}	V _{DS} = -20V	--	897	--	pF
Output Capacitance	C _{oss}	V _{GS} = 0V	--	84	--	
Reverse Transfer Capacitance	C _{rss}	f=1.0MHZ	--	73	--	
Switching Characteristics						
Turn-on Delay Time	t _{d(on)}	V _{DD} = -20V, V _{GS} = -10V R _G = 3Ω , I _D =-4A (Note 2.3)	--	7.6	--	nS
Turn-on Rise Time	t _r		--	12.3	--	
Turn-off Delay Time	t _{d(off)}		--	31.2	--	
Turn-off Fall Time	t _f		--	17.5	--	
Total Gate Charge	Q _g	V _{DS} =-20V, I _D =-4A V _{GS} =-10V	--	16.5	--	nC
Gate-Source Charge	Q _{gs}		--	3.6	--	
Gate-Drain Charge	Q _{gd}		--	4.7	--	

SOURCE-DRAIN DIODE RATINGS AND CHARACTERISTICS

Characteristics	Symbol	Test conditions	Min.	Typ.	Max.	Unit
Continuous Source Current	I_S	Integral Reverse P-N Junction Diode in the MOSFET	--	--	-8	A
Pulsed Source Current	I_{SM}		--	--	-32	
Diode Forward Voltage	V_{SD}	$I_S = -2A, V_{GS} = 0V$	--	-0.87	-1.3	V

NOTE:

- 1.Pulse width limited by maximum junction temperature
- 2.Pulse Test: Pulse width $\leq 300\mu s$, Duty cycle $\leq 2\%$
- 3.Essentially independent of operating temperature

Typical Performance Characteristics

Figure 1. On-Region Characteristics

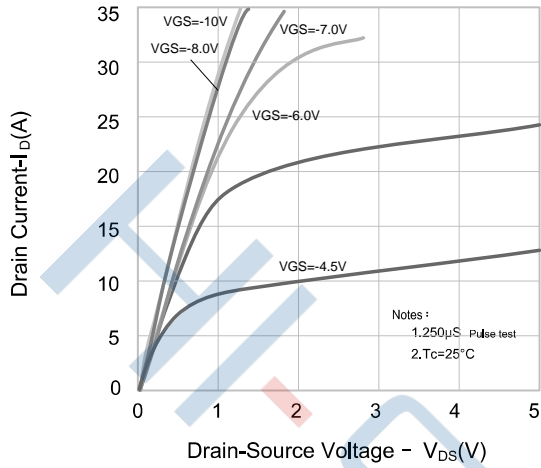


Figure 2. Transfer Characteristics

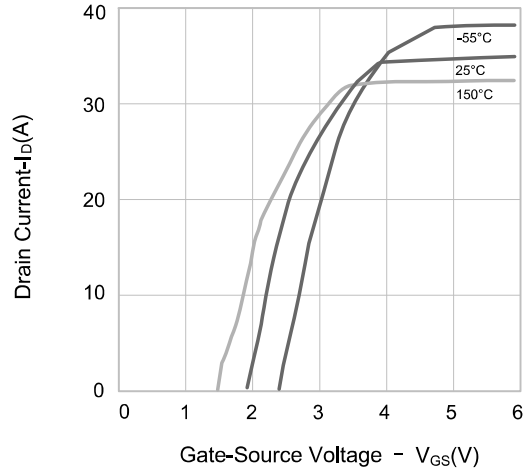


Figure 3. On-Resistance Variation vs. Drain-Current, Gate Voltage

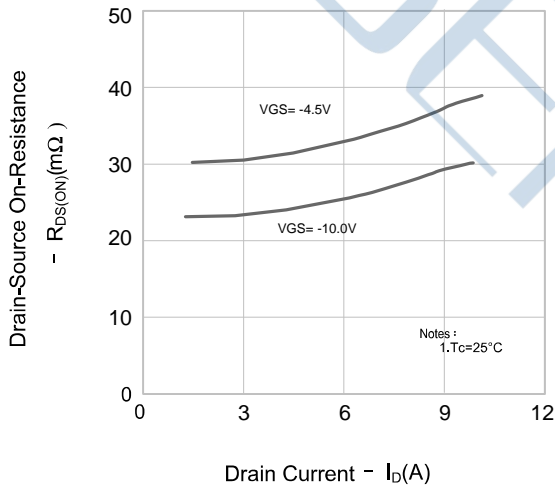


Figure 4. Body Diode Forward Voltage Variation vs. Source Current and Temperature

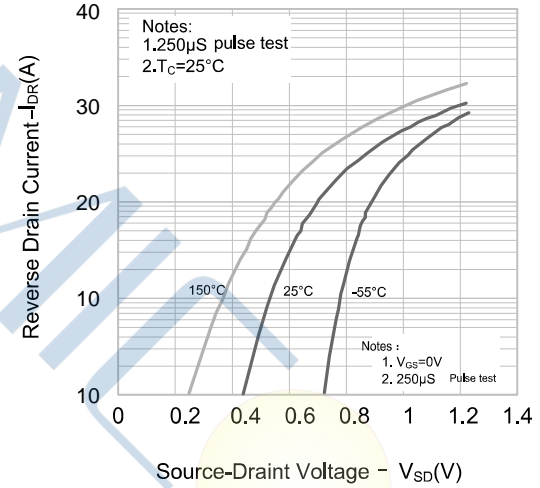


Figure 5. Capacitance Characteristics

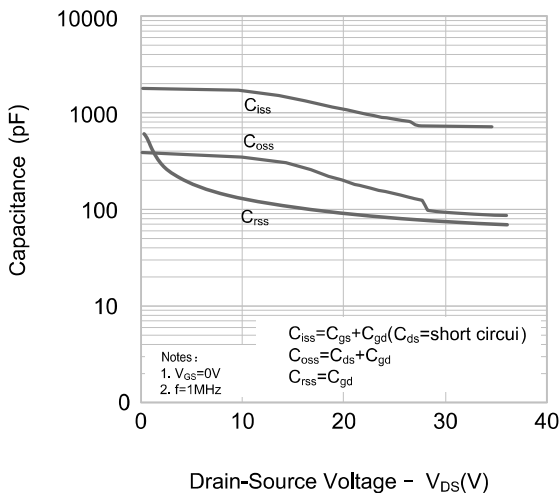
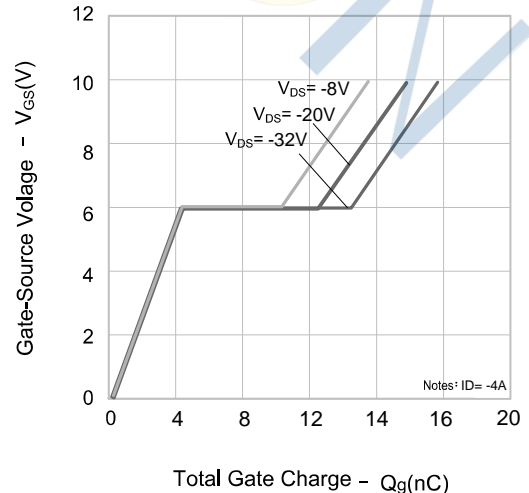


Figure 6. Gate Charge Characteristics



Typical Performance Characteristics

Figure 7. Breakdown Voltage Variation vs. Temperature

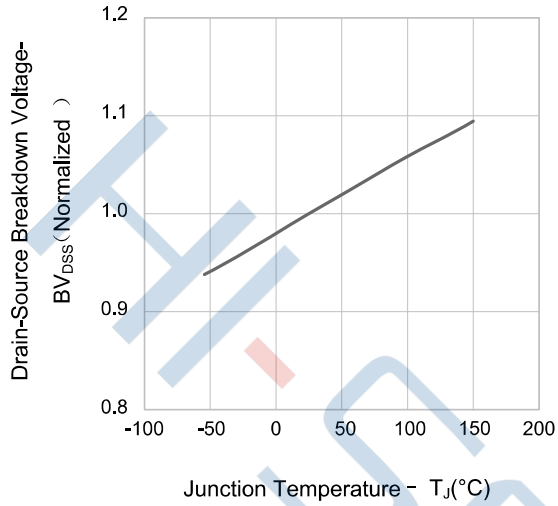


Figure 8. On-resistance Variation vs. Temperature

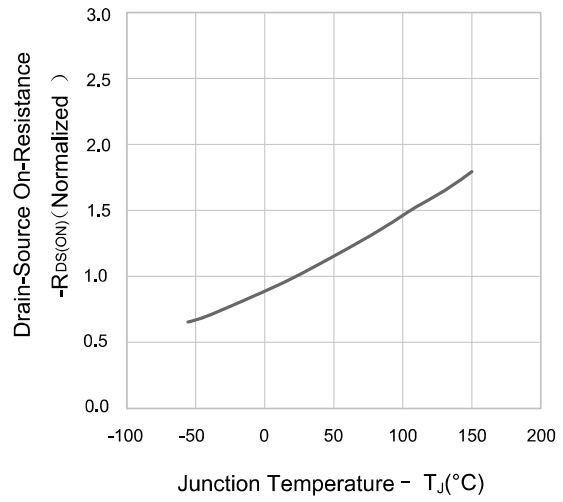
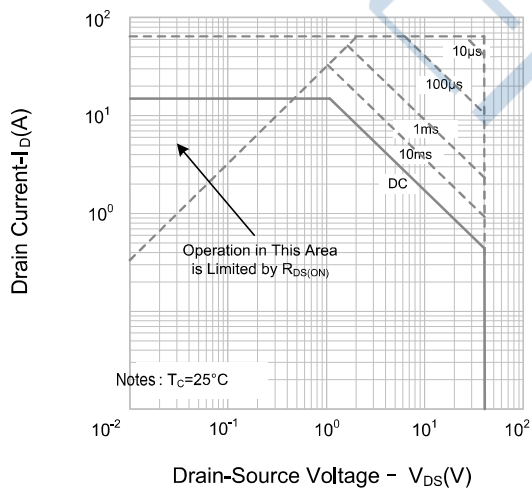
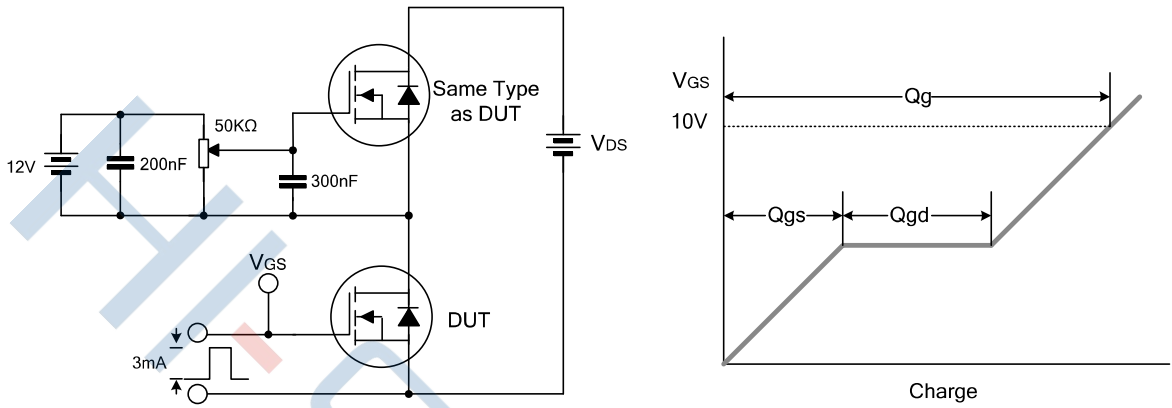


Figure 9. Max. Safe Operating Area

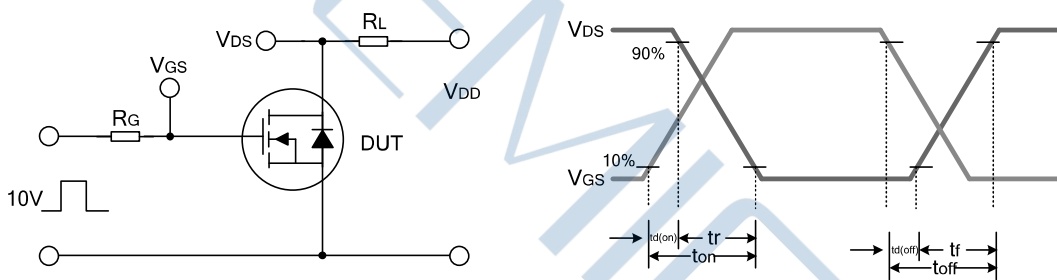


Test Circuit

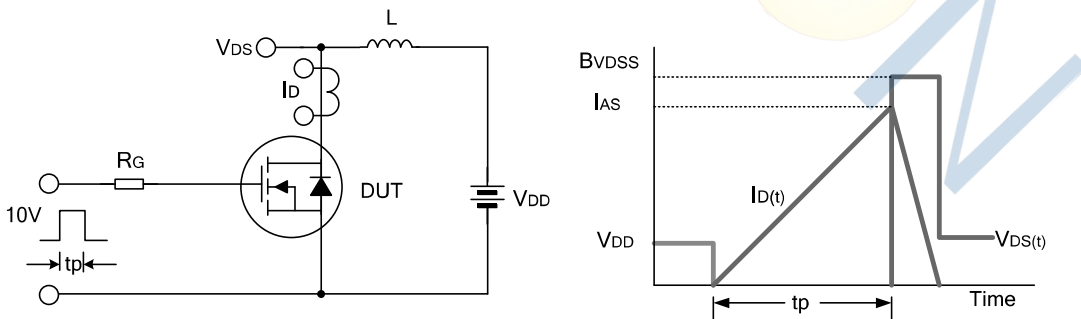
Gate Charge Test Circuit & Waveform



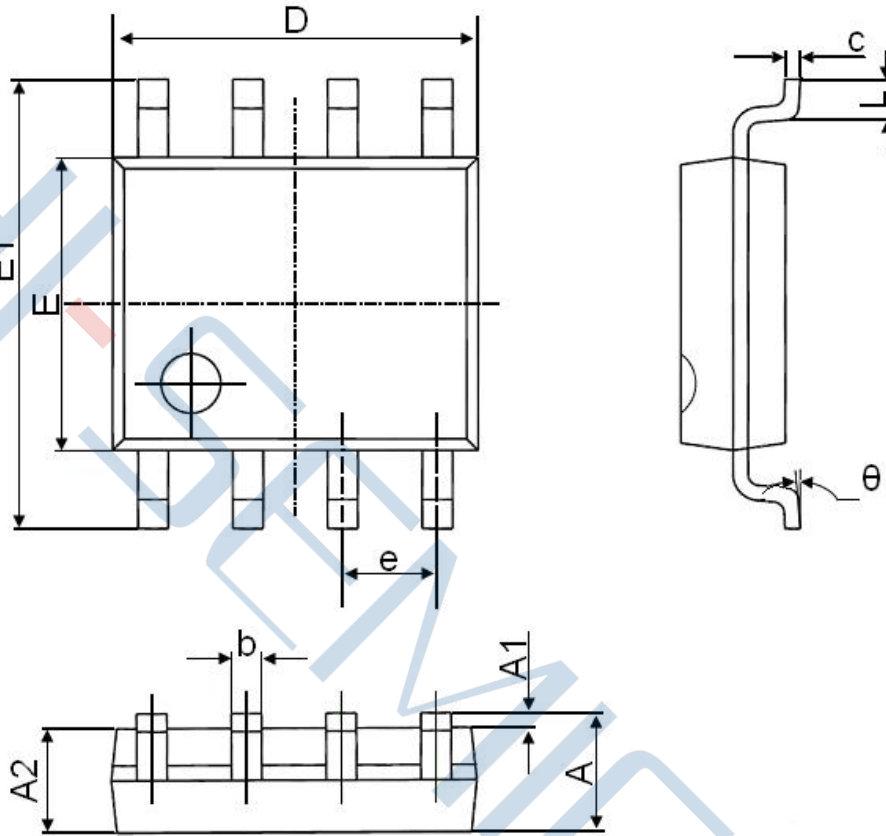
Resistive Switching Test Circuit & Waveform



Undamped Inductive Switching Test Circuit & Waveform



Package Dimensions of SOP-8



Symbol	Dimensions In Millimeters		Dimensions In Inches	
	Min	Max	Min	Max
A	1.350	1.750	0.053	0.069
A1	0.100	0.250	0.004	0.010
A2	1.350	1.550	0.053	0.061
b	0.330	0.510	0.013	0.020
c	0.170	0.250	0.006	0.010
D	4.700	5.100	0.185	0.200
E	3.800	4.000	0.150	0.157
E1	5.800	6.200	0.228	0.244
e	1.270 (BSC)		0.050 (BSC)	
L	0.400	1.270	0.016	0.050
theta	0°	8°	0°	8°

Disclaimer:

- ▶ Hi-semicon reserves the right to make changes to the information herein for the improvement of the design and performance without further notice! Customers should obtain the latest relevant information before placing orders and should verify that such information is complete and current.
- ▶ All semiconductor products malfunction or fail with some probability under special conditions. When using Hi-semicon products in system design or complete machine manufacturing, it is the responsibility of the buyer to comply with the safety standards strictly and take essential measures to avoid situations in which a malfunction or failure of such Hi-semicon products could cause loss of body injury or damage to property.
- ▶ Hi-semicon will supply the best possible product for customers!